

Heathfield 300W Pro led Floodlight range

Features In Brief:

1. Low heat, no UV or IR
2. Philips chips
3. Even light distribution
4. Long life span
5. IP65 rated
6. >50,000hrs (see website for details)



Heathfield Pro LED Floodlights are designed to replace the halogen types. This 300w version offers in excess of 32,000lm at 6000k. The quality design of the floodlight offers a stable light output that give even light distribution at 120 degrees. This unit has up to 50,000 hrs of useable light with no maintenance costs, this product is truly a fit and forget solution.

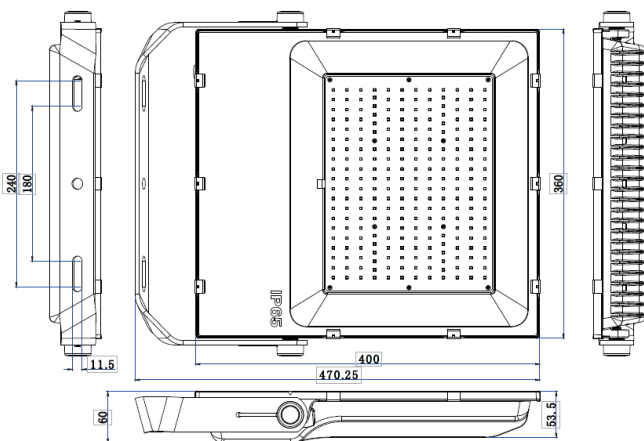
Part Number	Colour	Luminous Flux
HFLOOD300/6000K/PRO	6000K	33,000 lm
HFLOOD300/4000K/PRO	4000K	31,900 lm
HFLOOD300/3000K/PRO	3000K	30,855 lm

Heathfield 300W Pro led Floodlight range

300w Range

Item	HFLOOD300/6000K/PRO	HFLOOD300/4000K/PRO	HFLOOD300/3000K/PRO
Input voltage	AC 100-240V	AC 100-240V	AC 100-240V
Power consumption	300W	300W	300W
IP Grade	IP65	IP65	IP65
Colour temperature	Daylight	Cool white	Warm white
Life time	>50,000 hrs	>50,000 hrs	>50,000 hrs
Operating temperature	-10°C to + 40°C	-10°C to + 40°C	-10°C to + 40°C
Storage temperature	-10°C to + 60°C	-10°C to + 60°C	-10°C to + 60°C
Lumen	33,000lm	31,900lm	30,855lm
Certificates	CE, RoHS °	CE, RoHS °	CE, RoHS °
Beam Angle	120°	120°	120°
Size	470*460*140mm	470*460*140mm	470*460*140mm
CRI	70	70	70

Product Dimensions



Light distribution curve

