

Heathfield 100W Pro led Floodlight range

Features In Brief:

1. Low heat, no UV or IR
2. Philips chips
3. Even light distribution
4. Long life span
5. IP65 rated
6. >50,000hrs (see website for details)



Heathfield Pro LED Floodlights are designed to replace the halogen types. This 100w version offers in excess of 11,000lm at 6000k. The quality design of the floodlight offers a stable light output that give even light distribution at 120 degrees. This unit has up to 50,000 hrs of useable light with no maintenance costs, this product is truly a fit and forget solution.

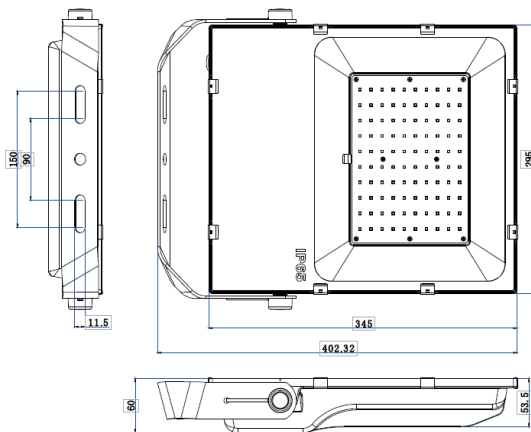
Part Number	Colour	Luminous Flux
HFLOOD100/6000K/PRO	6000K	11,000 lm
HFLOOD100/4000K/PRO	4000K	10,450 lm
HFLOOD100/3000K/PRO	3000K	9,927 lm

Heathfield 100W Pro led Floodlight range

100w Range

Item	HFLOOD100/6000K/PRO	HFLOOD100/4000K/PRO	HFLOOD100/3000K/PRO
Input voltage	AC 100-240V	AC 100-240V	AC 100-240V
Power consumption	100W	100W	100W
IP Grade	IP65	IP65	IP65
Colour temperature	Daylight	Cool white	Warm white
Life time	>50,000 hrs	>50,000 hrs	>50,000 hrs
Operating temperature	-10°C to + 40°C	-10°C to + 40°C	-10°C to + 40°C
Storage temperature	-10°C to + 60°C	-10°C to + 60°C	-10°C to + 60°C
Lumen	11000lm	10450lm	9927lm
Certificates	CE, RoHS °	CE, RoHS °	CE, RoHS °
Beam Angle	120°	120°	120°
Size	480*390*130.5mm	480*390*130.5mm	480*390*130.5mm
CRI	70	70	70

Product Dimensions



Light distribution curve

