

9W Lily led scoop downlight range

Features In Brief:

1. Low heat, no UV or IR
2. Bridgelux COB technology
3. Aluminium alloy shell
4. Effective heat dissipation system
5. 20, 40, 60° beam angles
6. >50,000hrs (see website for details)



Heathfield LED scoop downlights are designed to replace the traditional ceramic metal halide downlights commonly seen within retail and used as display lighting. The solid construction of this unit offers uniformed light distribution. The downlight comes prewired with driver and has optional dimming capabilities for 1-10v/DALI/DSI. Using original CREE chips.

Part Number	Colour	Luminous Flux
HSCOOP9/5000K	5000K	796 lm
HSCOOP9/4000K	4000K	752 lm
HSCOOP9/3000K	3000K	725 lm

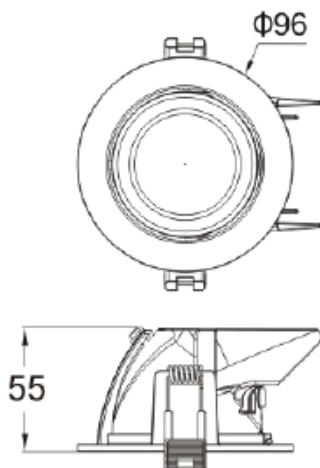
*Based on 36° beam angle

9W Lily led scoop downlight Features

9w Range

Item	HSCOOP9/5000K	HSCOOP9/4000K	HSCOOP9/3000K
Input voltage	AC100-240V	AC100-240V	AC100-240V
Power consumption	9W	9W	9W
Beam angle	20, 38, 60°	20, 38, 60°	20, 38, 60°
Colour temperature	Daylight	Cool white	Warm white
Life time	>50,000 hrs	>50,000 hrs	>50,000 hrs
Operating temperature	-10°C to + 40°C	-10°C to + 40°C	-10°C to + 40°C
Storage temperature	-10°C to + 80°C	-10°C to + 80°C	-10°C to + 80°C
Lumen	796lm	752lm	725lm
Certificates	CE . RoHS	CE . RoHS	CE . RoHS
Weight	200g	200g	200g
Size	96mm dia 83mm cut out	96mm dia 83mm cut out	96mm dia 83mm cut out
CRI	80	80	80

Product Diagram



Chromaticity Diagram

